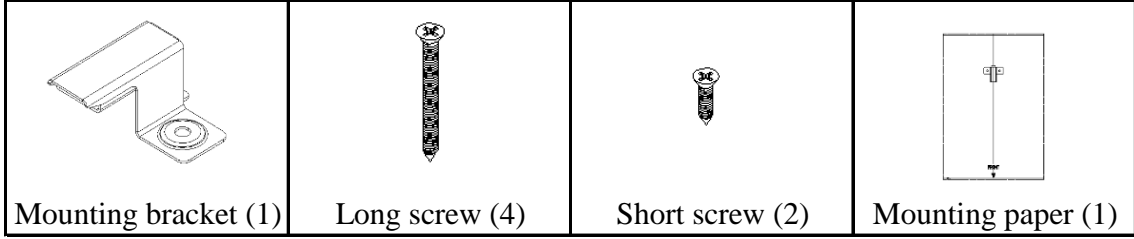


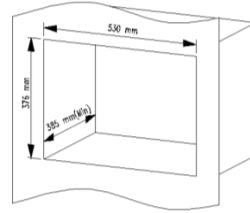
Mounting Instructions

Mounting accessories

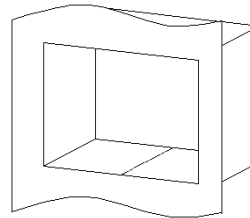


Size of mounting cabinet

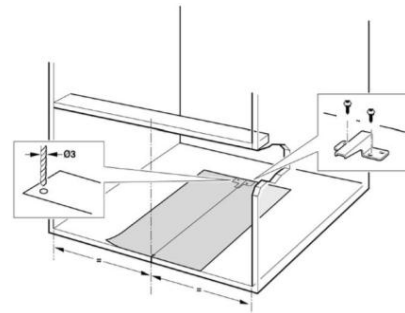
Length	Height	Depth
530mm	376mm	385mm (min)



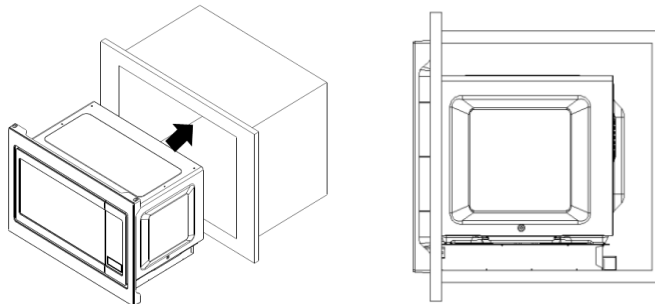
Step 1:
Draw center line on the bottom plate of the microwave oven mounting cabinet as shown on the right



Step 2:
Coincide the centerline of the mounting paper with the centerline of the mounting cabinet, align the edge with the outer edge of mounting cabinet, drill two $\phi 3$ holes in the position of the two holes in the mounting paper, and fix the mounting bracket on the cabinet with two short screws



Step 3:
Put the microwave oven in the cabinet and clamp the microwave oven in the mounting bracket



Step 4:
Fix the microwave oven on the cabinet with four long screws

